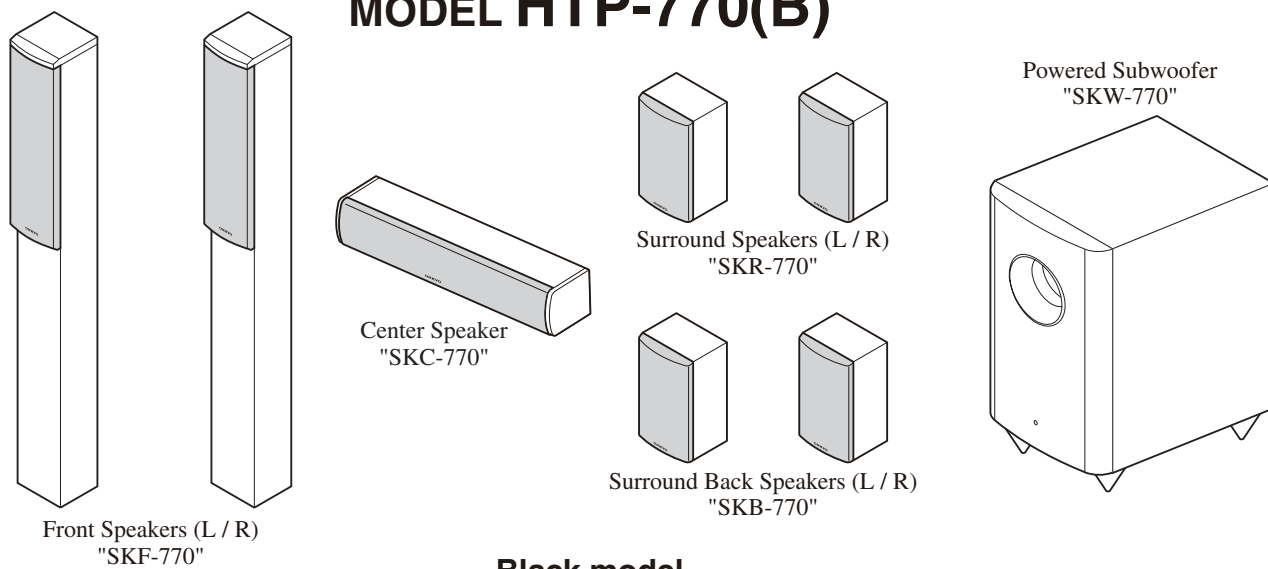


# ONKYO SERVICE MANUAL

## 7.1-CH HOME THEATER SPEAKER PACKAGE


### MODEL HTP-770(B)



#### Black model

|       |               |
|-------|---------------|
| B MDC | 120V AC, 60Hz |
|-------|---------------|

### SAFETY-RELATED COMPONENT WARNING!!

COMPONENTS IDENTIFIED BY MARK  ON THE SCHEMATIC DIAGRAM AND IN THE PARTS LIST ARE CRITICAL FOR RISK OF FIRE AND ELECTRIC SHOCK. REPLACE THESE COMPONENTS WITH ONKYO PARTS WHOSE PART NUMBERS APPEAR AS SHOWN IN THIS MANUAL.

MAKE LEAKAGE-CURRENT OR RESISTANCE MEASUREMENTS TO DETERMINE THAT EXPOSED PARTS ARE ACCEPTABLY INSULATED FROM THE SUPPLY CIRCUIT BEFORE RETURNING THE APPLIANCE TO THE CUSTOMER.

## ADJUSTMENT PROCEDURE

### SKW-770 : POWERED SUBWOOFER / ADJUSTMENT OF IDLING CURRENT

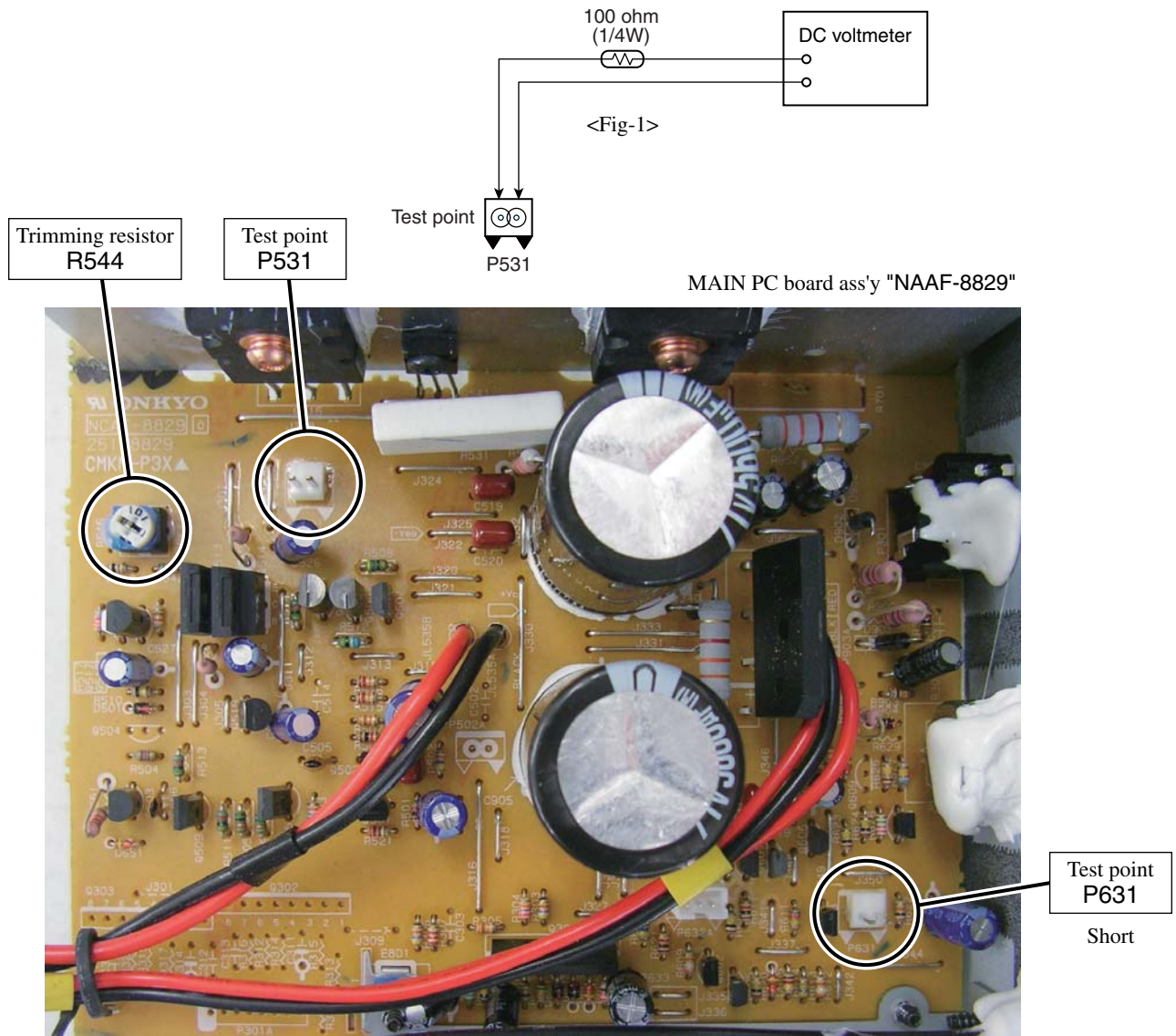
#### [When]

1. Exchange transistors (Q505 - Q519).
2. Exchange MAIN PC board ass'y (NAAF-8829).

#### [Procedure]

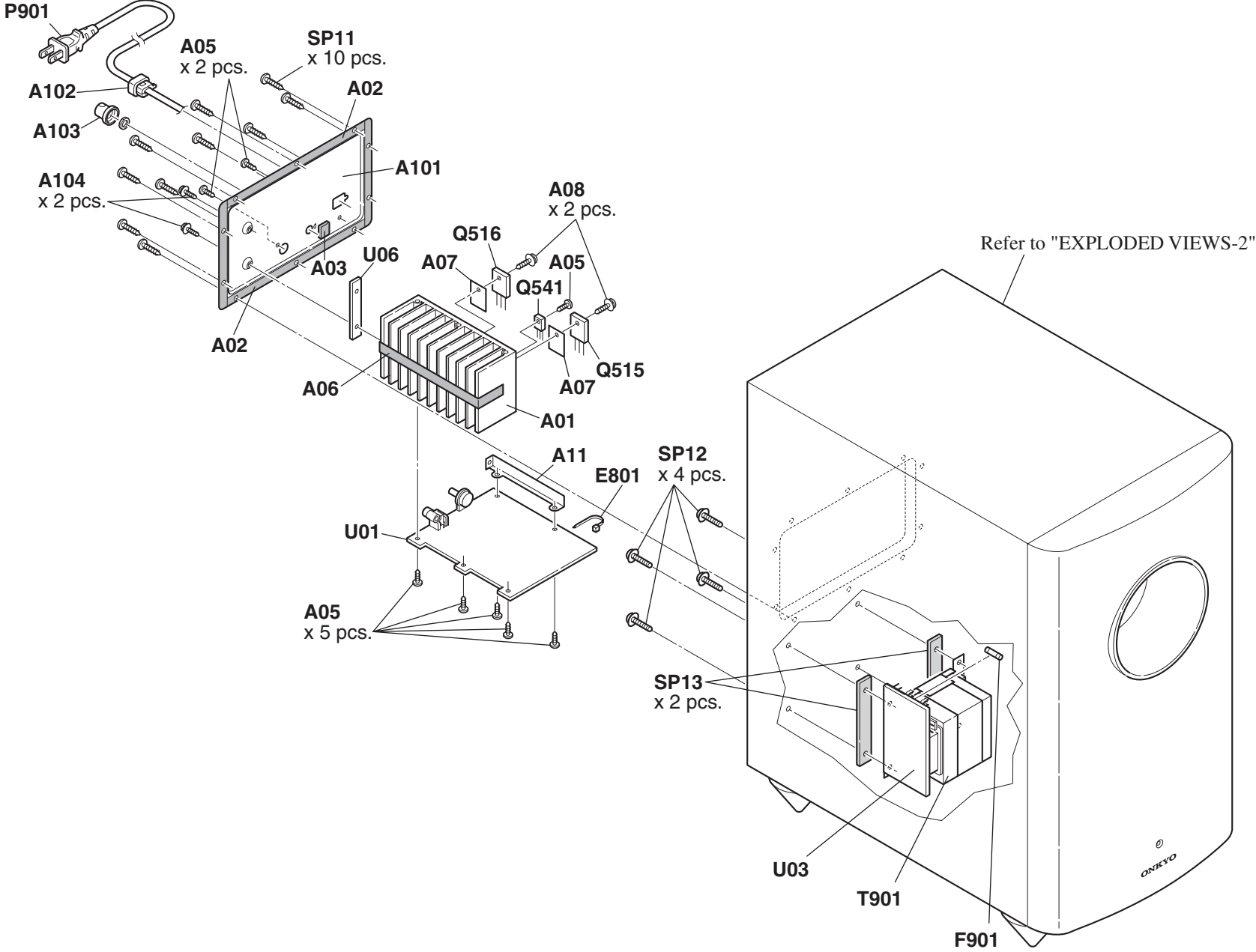
<Note> No speaker load and No input signal.

1. Short test point P631 for amplifier is under active mode.
2. Adjust the trimming resistor R544 so that the reading of multimeter becomes 52 ohm to 53 ohm.
3. Connect the DC voltmeter to test point P531. <Fig-1>
4. Connect the power cord into the AC outlet.
5. Confirm the voltage of above point after 6 minutes to 8 minutes. (Heat running)
6. When less than 3.20 mV : Readjust the trimming resistor above so that the voltage becomes 4.5 mV to 5.0 mV.  
When 3.30 mV to 5.20 mV : Not necessary to adjust.
7. Disconnect the power cord from the AC outlet.
8. Disconnect the DC voltmeter.

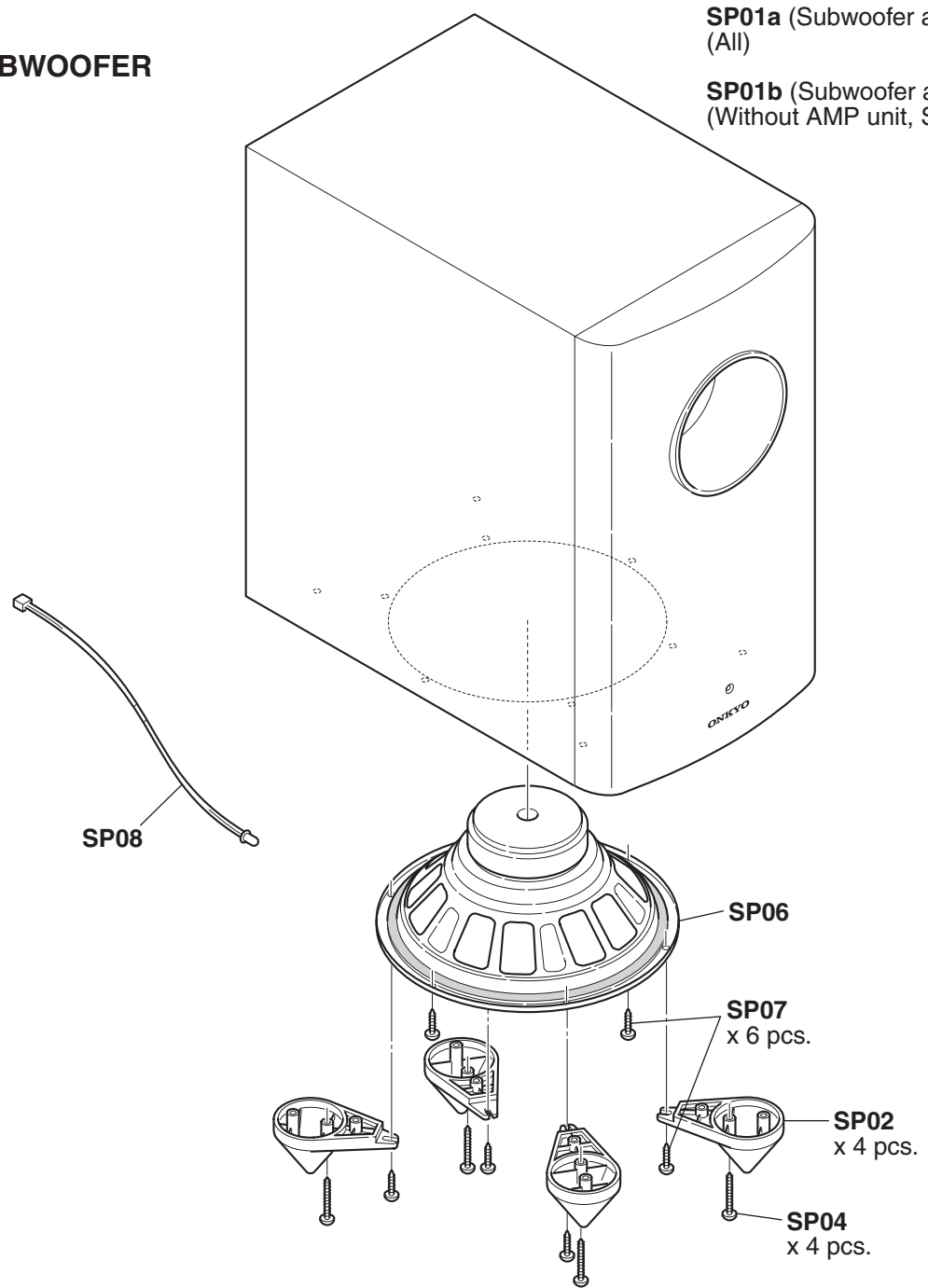


# EXPLODED VIEWS-1

## SKW-770 : POWERED SUBWOOFER



**EXPLODED VIEWS-2**  
**SKW-770 : POWERED SUBWOOFER**



**SP01a** (Subwoofer ass'y)  
 (All)

**SP01b** (Subwoofer ass'y)  
 (Without AMP unit, Speaker unit and Power transformer)

**SP08**

**SP06**

**SP07**  
 x 6 pcs.

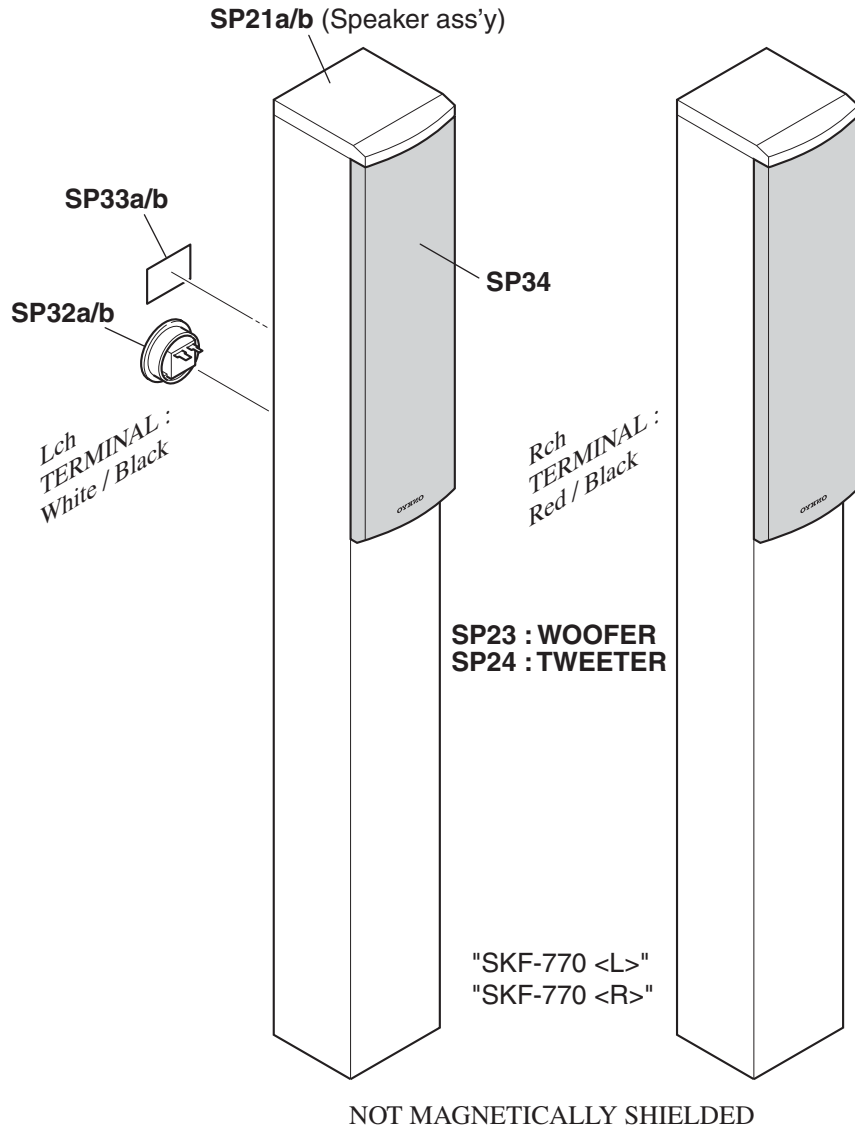
**SP02**  
 x 4 pcs.

**SP04**  
 x 4 pcs.

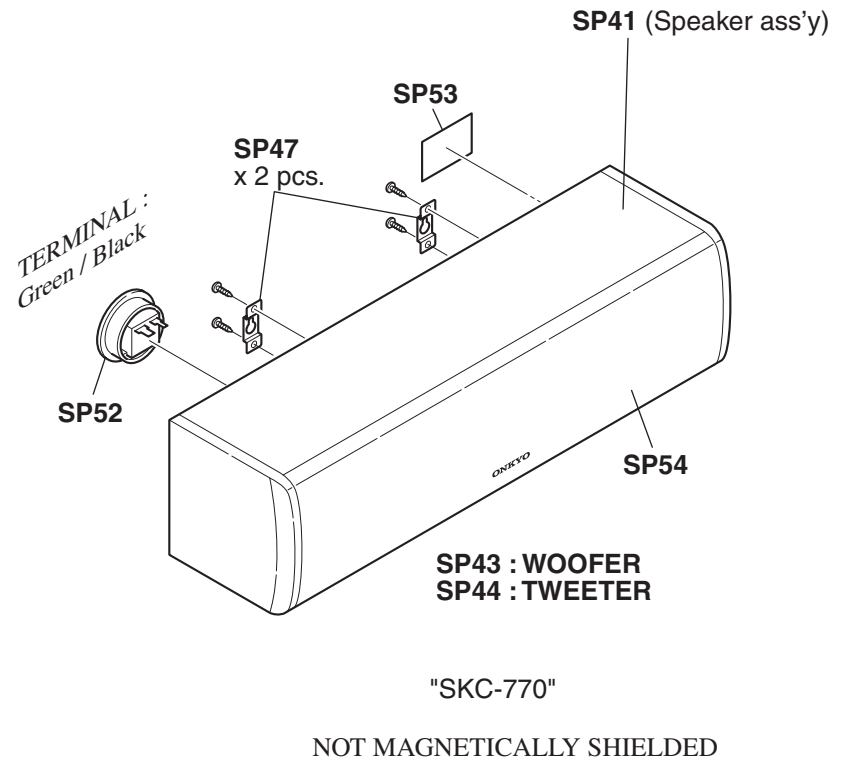
**EXPLODED VIEWS-3**

**SKF-770 <L> / SKF-770 <R> / SKC-770**

<Note>  
Cannot remove the speaker grill.

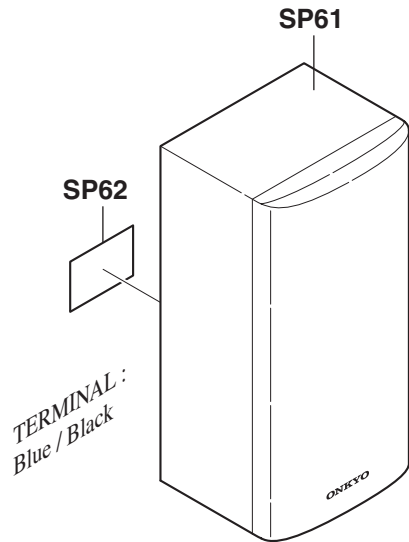


<Note>  
Cannot remove the speaker grill.

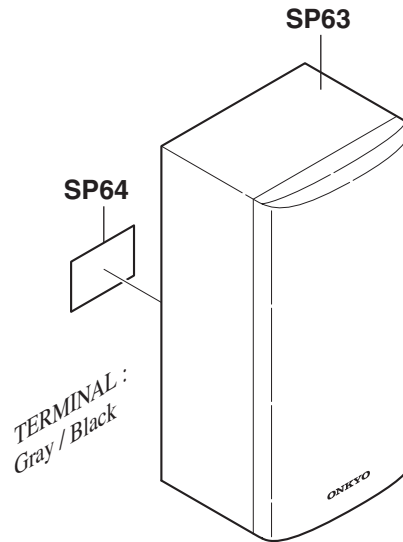


### EXPLODED VIEWS-4

SKR-770 <L> / SKR-770 <R> / SKB-770 <L> / SKB-770 <R>

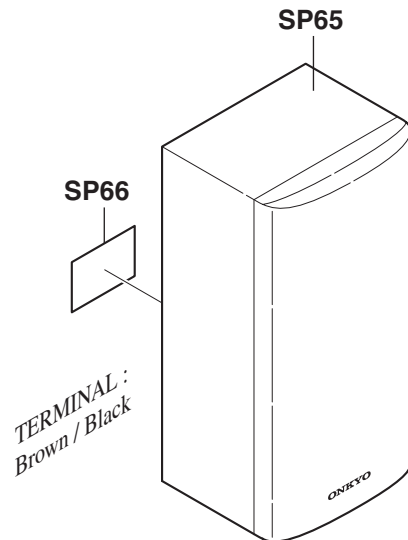


"SKR-770 <L>"  
NOT MAGNETICALLY SHIELDED

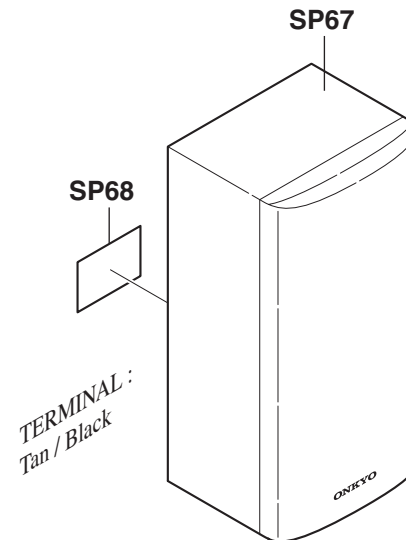


"SKR-770 <R>"  
NOT MAGNETICALLY SHIELDED

<Note>  
Cannot remove the speaker grill.



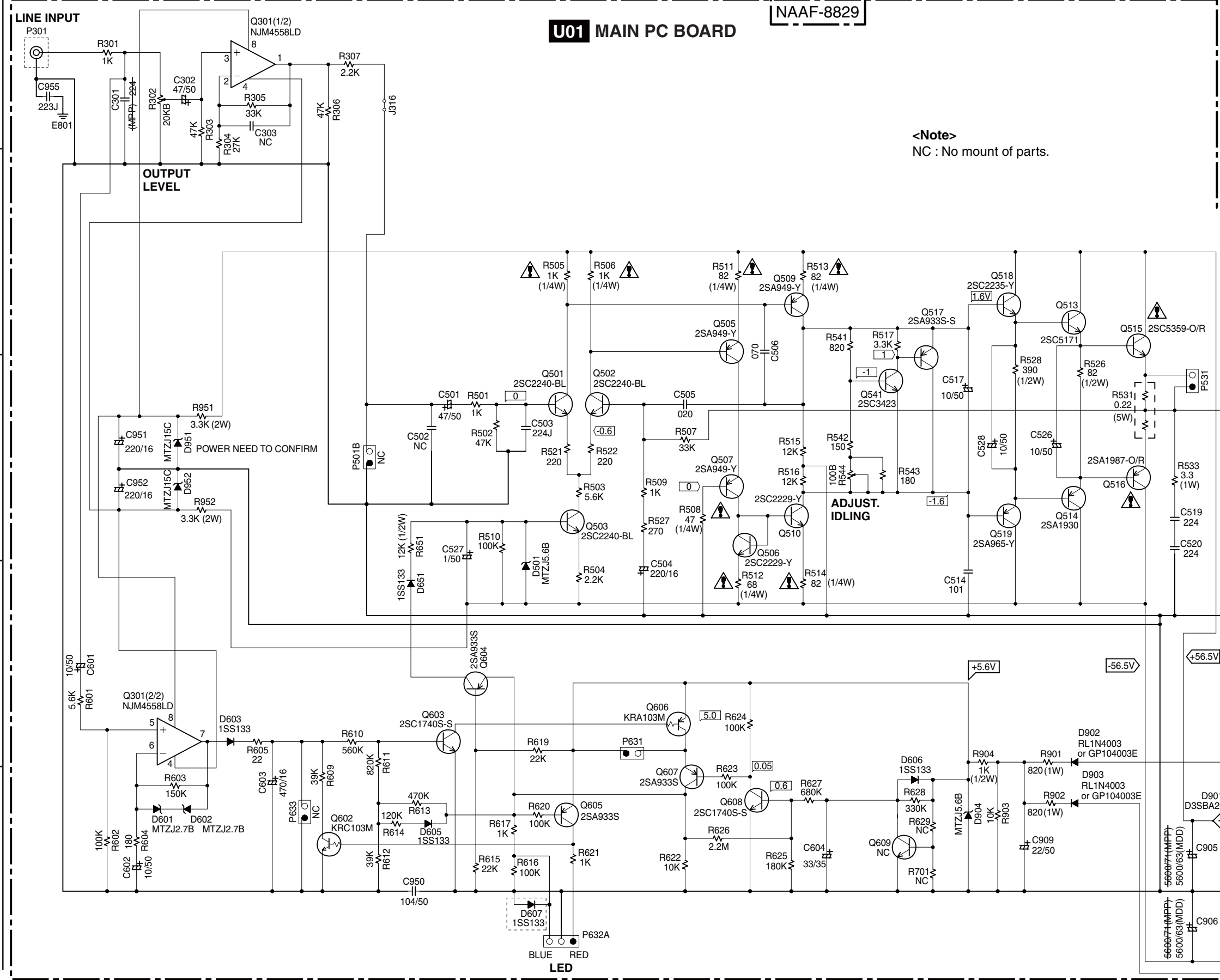
"SKB-770 <L>"  
NOT MAGNETICALLY SHIELDED



"SKB-770 <R>"  
NOT MAGNETICALLY SHIELDED

# SCHEMATIC DIAGRAM SKW-770 : POWERED SUBWOOFER

1  
2  
3  
4  
5



NAAF-8829

U01 MAIN PC BOARD

U03 POWER TRANSFORMER  
PC BOARD

### NOTE

- THE COMPONENTS IDENTIFIED BY MARK ARE CRITICAL FOR SAFETY. REPLACE ONLY WITH PART NUMBER SPECIFIED.
- VOLTAGE (MEASURED WITH VOLTMETER) IS DC VOLTAGE. (NO INPUT SIGNAL).
- ALL PNP TRANSISTORS ARE EQUIVALENT TO 2SA1015-GR UNLESS OTHERWISE NOTED.
- ALL NPN TRANSISTORS ARE EQUIVALENT TO 2SC1815-GR UNLESS OTHERWISE NOTED.
- ALL DIODES ARE EQUIVALENT TO 1SS133 UNLESS OTHERWISE NOTED.
- ELECTROLYTIC CAPACITORS ( ) ARE IN uF/WV.
- ALL CAPACITORS ARE IN pF/50WV UNLESS OTHERWISE NOTED.  
EX) 030- 3pF 330- 33pF 331- 330pF 333- 0.033uF
- ALL RESISTORS ARE IN OHMS 1/4WATTS UNLESS OTHERWISE NOTED.
- THE THICK LINES ON PC BOARD ARE THE PRINTING SIDE OF THE PARTS.  
EX) PRINTING SIDE
- CIRCUIT IS SUBJECT TO CHANGE FOR IMPROVEMENT.

<Note>  
NC : No mount of parts.

### CAUTION

FOR CONTINUED PROTECTION AGAINST FIRE HAZARD, REPLACE ONLY WITH FUSE OF SAME TYPE AND RATING INDICATED.

### ATTENTION

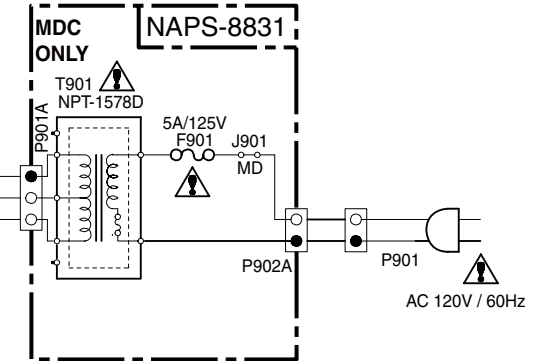
AFIN D'ASSURER UNE PROTECTION PERMANENTE CONTRE LES RISQUES D'INCENDIE, REMPLACER UNIQUEMENT PAR UN FUSIBLE DE MEME TYPE ET CALIBRATION COMME INDIQUE.

THIS SYMBOL LOCATED NEAR THE FUSE INDICATES THAT THE FUSE USED IS SLOW OPERATING TYPE FOR CONTINUED PROTECTION AGAINST FIRE HAZARD. REPLACE WITH SAME TYPE FUSE. FOR FUSE RATING REFER TO THE MARKING ADJACENT TO THE SYMBOL.

CE SYMBOLE INDIQUE QUE LE FUSIBLE UTILISE EST E LENT. POUR UNE PROTECTION PERMANENTE, UTILISER QUE DES FUSIBLES DE MEME TYPE. CE DERNIER EST INDIQUE LA QU LE PRESENT SYMBOLE EST APPOSE.

SPEAKER

LED  
BLUE RED



AC 120V / 60Hz







A

B

C

D

# PRINTED CIRCUIT BOARD VIEWS-2

## SKW-770 : POWERED SUBWOOFER

1

### U03 POWER TRANSFORMER PC BOARD (NAPS-8831)

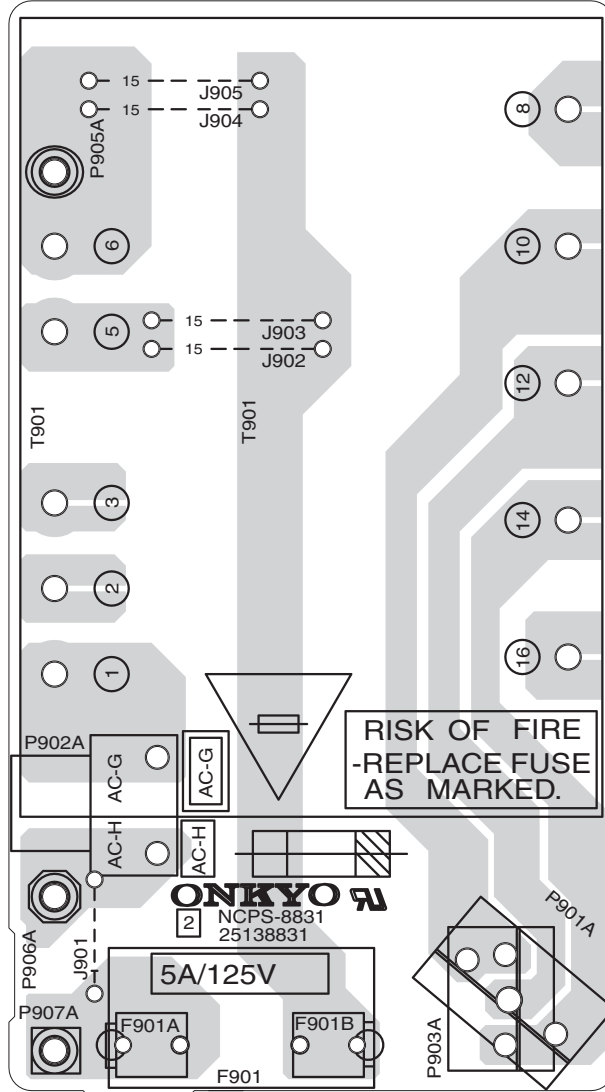
Component side

2

3

4

5



**HTP-770**

**EXPLODED VIEWS PARTS LIST**

NOTE : THE COMPONENTS IDENTIFIED BY THE MARK  
 ! ARE CRITICAL FOR RISK OF FIRE AND  
 ELECTRIC SHOCK. REPLACE ONLY WITH PART  
 NUMBER SPECIFIED.

<Notes>  
 <L> : Lch  
 <R> : Rch

| REF. NO. | PART NAME  | DESCRIPTION | Q'TY | PART NO. (SN) | REMARKS |
|----------|--|-------------|------|---------------|---------|
| EXPLODED | <b>SKW-770 (B) : POWERED SUBWOOFER</b>   |             |      |               |         |
| EXPLODED | <b>AMPLIFIER SECTION (SKW-770)</b>   |             |      |               |         |
| EXPLODED | Q515   | TR          |      | 2203082       | !       |
| EXPLODED | Q515 or  | TR          | (1)  | 2203083       | !       |
| EXPLODED | Q516   | TR          |      | 2203072       | !       |
| EXPLODED | Q516 or  | TR          | (1)  | 2203073GR     | !       |
| EXPLODED | Q541   | TR          |      | 2202104       |         |
| EXPLODED | Q541 or  | TR          | (1)  | 2202103       |         |
| EXPLODED | <Note>   |             |      |               |         |
| EXPLODED | When replacement the following the transistor, made from the same HFE rank as the original type. |             |      |               |         |
| EXPLODED | Q515, Q516, Q541   |             |      |               |         |
| EXPLODED | A01  | HEAT SINK   | 1    | 27160591      |         |
| EXPLODED | A02  | CUSHION     | 2    | 28141682      |         |
| EXPLODED | A03  | CUSHION     | 1    | 28141691      |         |
| EXPLODED | A05  | SCREW       | 8    | 838430088GR   |         |
| EXPLODED | A06  | TAPE        | (1)  | 29110083      |         |
| EXPLODED | A07  | ISO SHEET   | 2    | 223025        |         |
| EXPLODED | A08  | SCREW       | 2    | 801634        |         |
| EXPLODED | A11  | RETAINER    | 1    | 27142025      |         |
| EXPLODED | A101   | REAR PANEL  | 1    | 27124058      | N       |
| EXPLODED | A102   | BUSHING     | 1    | 27300750      | !       |
| EXPLODED | A103   | KNOB        | 1    | 28326463      |         |
| EXPLODED | A104   | SCREW       | 2    | 801433GR      |         |
| EXPLODED | F901   | FUSE        | 1    | 252326GR      | !       |
| EXPLODED | P901   | AC CORD     | 1    | 253368BLTK    | !       |
| EXPLODED | P901 or  | AC CORD     | (1)  | 253368AYUN    | !       |
| EXPLODED | T901   | P TRANS     | 1    | 2301948       | !       |
| EXPLODED | E801   | WIRE TIE    | 1    | 260208        |         |

|          |  |                             |                                  |   |                    |     |
|----------|--|-----------------------------|----------------------------------|---|--------------------|-----|
| EXPLODED | U01  | MAIN PC BOARD ASS'Y         | NAAF-8829-1AD*                   | 1 | 1B138529-1AD       |     |
| EXPLODED | U03  | POWER TRANS. PC BOARD ASS'Y | NAPS-8831-1AD                    | 1 | 1B138531-1AD       |     |
| EXPLODED | U06  | HOLDER PC BOARD             | NAETC-8834                       | 1 | ---                | NSP |
| EXPLODED | <b>SPEAKER SECTION (SKW-770)</b>                             |                             |                                  |   |                    |     |
| EXPLODED | SP01a  | SPK SYSTEM ASS'Y(ALL)       | SKW-770 (B) MDC                  | 1 | 000-SKW770BMDCCSER |     |
| EXPLODED | SP01b  | SUBWOOFER ASS'Y             | SKW-770 (B) MDC                  | 1 | 000-SKW770BESER    |     |
| EXPLODED | <Note>   |                             |                                  |   |                    |     |
| EXPLODED | SP01a = ALL  |                             |                                  |   |                    |     |
| EXPLODED | SP01b = Without AMP unit, Speaker unit and Power transformer |                             |                                  |   |                    |     |
| EXPLODED | SP02   | FOOT                        | (PLASTIC)                        | 4 | D249-W55001B-01    |     |
| EXPLODED | SP04   | WOOD SCREW                  | 4STB + 45A(BC) (FOR FOOT)        | 4 | 411-BE4045AB1      |     |
| EXPLODED | SP06   | WOOFER                      | 10" (25cm) 4 ohm 80W (ONKYO ELE) | 1 | W2301G             |     |
| EXPLODED | SP07   | WOOD SCREW                  | 4STB + 25A(BC) (FOR SP UNIT)     | 6 | 411-BE4025AB1      |     |
| EXPLODED | SP08   | LED HARNESS ASS'Y           | ---                              | 1 | 335-SKW750-01      |     |

|          |   |                       |                                 |    |                  |     |
|----------|---|-----------------------|---------------------------------|----|------------------|-----|
| EXPLODED | SP11  | WOOD SCREW            | 4STB + 16A(BC) (FOR AMP)        | 10 | 411-BE4016AB1    |     |
| EXPLODED | SP12  | SCREW                 | 4 x 25 ED BLK (FOR P-TRANS)     | 4  | 412-DE40250B1    |     |
| EXPLODED | SP13  | CUSHION RUBBER PAD    | 19 x 89 T2 RUBBER (FOR P-TRANS) | 2  | 442-902138-00    |     |
| EXPLODED | <b>SKF-770 &lt;L&gt; / &lt;R&gt; (B) : FRONT SPEAKERS</b>         |                       |                                 |    |                  |     |
| EXPLODED | SP21a   | SPK SYSTEM ASS'Y      | "SKF-770 <L> (B)"               | 1  | 000-SKF770LBCSER | <L> |
| EXPLODED | SP21b   | SPK SYSTEM ASS'Y      | "SKF-770 <R> (B)"               | 1  | 000-SKF770RBCSER | <R> |
| EXPLODED | SP23  | WOOFER                | FPI                             | 2  | 300-DHTS7200800  |     |
| EXPLODED | SP24  | TWEETER               | BLACK                           | 1  | 302-DBF7700200   |     |
| EXPLODED | SP32a   | TERMINAL              | WHITE / BLACK                   | 1  | 332-LY104B-40    | <L> |
| EXPLODED | SP32b   | TERMINAL              | RED / BLACK                     | 1  | 332-LY104B-00    | <R> |
| EXPLODED | SP33a   | SPEC LABEL (L)        | ---                             | 1  | 600-0F770L-00    | <L> |
| EXPLODED | SP33b   | SPEC LABEL (R)        | ---                             | 1  | 600-0F770R-00    | <R> |
| EXPLODED | SP34  | CLOTH FRAME ASS'Y (B) | (WITH GRILLE CLOTH and BADGE)   | 1  | D201-P770F1B-50  |     |
| EXPLODED | <b>SKC-770 (B) : CENTER SPEAKER</b>                               |                       |                                 |    |                  |     |
| EXPLODED | SP41  | SPK SYSTEM ASS'Y      | "SKC-770 (B)"                   | 1  | 000-SKC770BCSER  |     |
| EXPLODED | SP43  | WOOFER                | FPI                             | 2  | 300-DHTS7200800  |     |
| EXPLODED | SP44  | TWEETER               | BLACK                           | 1  | 302-DBF7700200   |     |
| EXPLODED | SP47  | METAL BRACKET         | ---                             | 2  | 427-100022-00    |     |
| EXPLODED | SP52  | TERMINAL              | GREEN / BLACK                   | 1  | 332-LY104B-30    |     |
| EXPLODED | SP53  | SPEC LABEL            | ---                             | 1  | 600-0KC770-00    |     |
| EXPLODED | SP54  | CLOTH FRAME ASS'Y (B) | (WITH GRILLE CLOTH and BADGE)   | 1  | D201-P770C1B-50  |     |
| EXPLODED | <b>SKR-770 &lt;L&gt; / &lt;R&gt; (B) : SURROUND SPEAKERS</b>      |                       |                                 |    |                  |     |
| EXPLODED | SP61  | COMPLETE UNIT         | "SKR-770 <L> (B)"               | 1  | 000-SKR770LBCSER | <L> |
| EXPLODED | SP62  | SPEC LABEL (L)        | ---                             | 1  | 600-0R770L-00    | <L> |
| EXPLODED | SP63  | COMPLETE UNIT         | "SKR-770 <R> (B)"               | 1  | 000-SKR770RBCSER | <R> |
| EXPLODED | SP64  | SPEC LABEL (R)        | ---                             | 1  | 600-0R770R-00    | <R> |
| EXPLODED | <b>SKB-770 &lt;L&gt; / &lt;R&gt; (B) : SURROUND BACK SPEAKERS</b> |                       |                                 |    |                  |     |
| EXPLODED | SP65  | COMPLETE UNIT         | "SKB-770 <L> (B)"               | 1  | 000-SKB770LBCSER | <L> |
| EXPLODED | SP66  | SPEC LABEL (L)        | ---                             | 1  | 600-0B770L-00    | <L> |
| EXPLODED | SP67  | COMPLETE UNIT         | "SKB-770 <R> (B)"               | 1  | 000-SKB770RBCSER | <R> |
| EXPLODED | SP68  | SPEC LABEL (R)        | ---                             | 1  | 600-0B770R-00    | <R> |

**HTP-770**

**PRINTED CIRCUIT BOARD PARTS LIST**

NOTE : THE COMPONENTS IDENTIFIED BY THE MARK  
 ! ARE CRITICAL FOR RISK OF FIRE AND  
 ELECTRIC SHOCK. REPLACE ONLY WITH PART  
 NUMBER SPECIFIED

! ARE CRITICAL FOR RISK OF FIRE AND  
ELECTRIC SHOCK. REPLACE ONLY WITH PART  
NUMBER SPECIFIED.

**SKW-770**

**U01** MAIN PC BOARD (NAAF-8829-1AD)  
**U03** POWER TRANS. PC BOARD (NAPS-8831-1AD)

|     | CIRCUIT NO. | PART NAME | DESCRIPTION | Q'TY | PART NO. (SN) | REMARKS |
|-----|-------------|-----------|-------------|------|---------------|---------|
| PWB | D501        | ZENER D   | MTZJ5.6B    | 1    | 224470562T    |         |
| PWB | D501 or     | ZENER D   | DZ-5.6BSB   | (1)  | 224850562T    |         |
| PWB | D601        | ZENER D   | MTZJ2.7B    | 1    | 224470272T    |         |
| PWB | D601 or     | ZENER D   | DZ-2.7BSB   | (1)  | 224850272T    |         |
| PWB | D602        | ZENER D   | MTZJ2.7B    | 1    | 224470272T    |         |
| PWB | D602 or     | ZENER D   | DZ-2.7BSB   | (1)  | 224850272T    |         |
| PWB | D603        | DIODE     | 1SS133      | 1    | 223163T       |         |

|     |  |         |                    |     |            |
|-----|--|---------|--------------------|-----|------------|
| PWB | D603 or  | DIODE   | 1SS133(DS)         | (1) | 223280T    |
| PWB | D605   | DIODE   | 1SS133             | 1   | 223163T    |
| PWB | D605 or  | DIODE   | 1SS133(DS)         | (1) | 223280T    |
| PWB | D606   | DIODE   | 1SS133             | 1   | 223163T    |
| PWB | D606 or  | DIODE   | 1SS133(DS)         | (1) | 223280T    |
| PWB | D607   | DIODE   | 1SS133             | 1   | 223163T    |
| PWB | D651   | DIODE   | 1SS133             | 1   | 223163T    |
| PWB | D651 or  | DIODE   | 1SS133(DS)         | (1) | 223280T    |
| PWB | D901   | DIODE   | D3SBA20            | 1   | 22380271F  |
| PWB | D901 or  | DIODE   | D3SBA60            | (1) | 22380272F  |
| PWB | D902   | DIODE   | RL1N4003           | 1   | 22380260T  |
| PWB | D902 or  | DIODE   | GP104003E          | (1) | 22380035T  |
| PWB | D903   | DIODE   | RL1N4003           | 1   | 22380260T  |
| PWB | D903 or  | DIODE   | GP104003E          | (1) | 22380035T  |
| PWB | D904   | ZENER D | MTZJ5.6B           | 1   | 224470562T |
| PWB | D904 or  | ZENER D | DZ-5.6BSB          | (1) | 224850562T |
| PWB | D951   | ZENER D | MTZJ15C            | 1   | 224471503T |
| PWB | D951 or  | ZENER D | DZ-15BSC           | (1) | 224851503T |
| PWB | D952   | ZENER D | MTZJ15C            | 1   | 224471503T |
| PWB | D952 or  | ZENER D | DZ-15BSC           | (1) | 224851503T |
| PWB | <Note>   |         |                    |     |            |
| PWB | When replacement the following the transistor, made from the same HFE rank as the original type. |         |                    |     |            |
| PWB | Q301   | IC      | NJM4558L-D         | 1   | 22240293   |
| PWB | Q501   | TR      | 2SC2240-BL(TPE2_F) | 1   | 2211406T   |
| PWB | Q502   | TR      | 2SC2240-BL(TPE2_F) | 1   | 2211406T   |
| PWB | Q503   | TR      | 2SC2240-BL(TPE2_F) | 1   | 2211406T   |
| PWB | Q505   | TR      | KTA1024-Y          | 1   | 2215844T   |
| PWB | Q505 or  | TR      | 2SA949-Y(TPE6_F)   | (1) | 2211354T   |
| PWB | Q505 or  | TR      | 2SA949-O(TPE6_F)   | (1) | 2211353T   |
| PWB | Q506   | TR      | 2SC2229-Y(TPE6_F)  | 1   | 2211634T   |
| PWB | Q506 or  | TR      | 2SC2229-O(TPE6_F)  | (1) | 2211633T   |
| PWB | Q507   | TR      | 2SA949-Y(TPE6_F)   | 1   | 2211354T   |
| PWB | Q507 or  | TR      | 2SA949-O(TPE6_F)   | (1) | 2211353T   |
| PWB | Q507 or  | TR      | KTA1024-Y          | (1) | 2215844T   |
| PWB | Q509   | TR      | KTA1024-Y          | 1   | 2215844T   |
| PWB | Q509 or  | TR      | 2SA949-Y(TPE6_F)   | (1) | 2211354T   |
| PWB | Q509 or  | TR      | 2SA949-O(TPE6_F)   | (1) | 2211353T   |



|     |         |    |                   |     |          |  |
|-----|---------|----|-------------------|-----|----------|--|
| PWB | Q510    | TR | KTC3206-Y         | 1   | 2215854T |  |
| PWB | Q510 or | TR | 2SC2229-Y(TPE6_F) | (1) | 2211634T |  |
| PWB | Q510 or | TR | 2SC2229-O(TPE6_F) | (1) | 2211633T |  |
| PWB | Q513    | TR | KTD2061-Y         | 1   | 2203434  |  |
| PWB | Q513 or | TR | 2SC5171(ONK_Q)    | (1) | 2203010  |  |
| PWB | Q514    | TR | KTB1369-Y         | 1   | 2203424  |  |
| PWB | Q514 or | TR | 2SA1930(ONK_Q)    | (1) | 2203000  |  |
| PWB | Q517    | TR | 2SA933S-S         | 1   | 2213355T |  |
| PWB | Q517 or | TR | 2SA933S-R         | (1) | 2213354T |  |
| PWB | Q517 or | TR | KTA1267-GR        | (1) | 2215995T |  |
| PWB | Q518    | TR | 2SC2235-Y(TPE6_F) | 1   | 2211654T |  |
| PWB | Q519    | TR | 2SA965-Y(TPE6_F)  | 1   | 2211644T |  |
| PWB | Q602    | TR | KRC103M           | 1   | 2215810T |  |
| PWB | Q602 or | TR | DTC124ES          | (1) | 2213160T |  |

|     |         |         |                       |     |            |  |
|-----|---------|---------|-----------------------|-----|------------|--|
| PWB | Q603    | TR      | 2SC1740S-S            | 1   | 2213285T   |  |
| PWB | Q603 or | TR      | 2SC1740S-R            | (1) | 2213284T   |  |
| PWB | Q603 or | TR      | KTC3199-GR            | (1) | 2215864T   |  |
| PWB | Q604    | TR      | 2SA933S-S             | 1   | 2213355T   |  |
| PWB | Q604 or | TR      | 2SA933S-R             | (1) | 2213354T   |  |
| PWB | Q604 or | TR      | KTA1267-GR            | (1) | 2215995T   |  |
| PWB | Q605    | TR      | 2SA933S-S             | 1   | 2213355T   |  |
| PWB | Q605 or | TR      | 2SA933S-R             | (1) | 2213354T   |  |
| PWB | Q605 or | TR      | KTA1267-GR            | (1) | 2215995T   |  |
| PWB | Q606    | TR      | KRA103M               | 1   | 2215780T   |  |
| PWB | Q606 or | TR      | DTA124ES              | (1) | 2212600T   |  |
| PWB | Q607    | TR      | 2SA933S-S             | 1   | 2213355T   |  |
| PWB | Q607 or | TR      | 2SA933S-R             | (1) | 2213354T   |  |
| PWB | Q607 or | TR      | KTA1267-GR            | (1) | 2215995T   |  |
| PWB | Q608    | TR      | 2SC1740S-S            | 1   | 2213285T   |  |
| PWB | Q608 or | TR      | 2SC1740S-R            | (1) | 2213284T   |  |
| PWB | Q608 or | TR      | KTC3199-GR            | (1) | 2215864T   |  |
| PWB | C302    | VX C    | CE04W50V-47M(VX_BLK)  | 1   | 397384707T |  |
| PWB | C501    | VX C    | CE04W50V-47M(VX_BLK)  | 1   | 397384707T |  |
| PWB | C503    | TF C    | ECQ-V50V-224J         | 1   | 374722244T |  |
| PWB | C504    | VX C    | CE04W16V-220M(VX_BLK) | 1   | 397342217T |  |
| PWB | C505    | CERA C  | CC45CH50V-020C        | 1   | 345340201T |  |
| PWB | C506    | CERA C  | CC45CH50V-070D        | 1   | 345340702T |  |
| PWB | C514    | TF C    | ECQ-B50V-101J         | 1   | 374721014T |  |
| PWB | C517    | VX C    | CE04W50V-10M(VX_BLK)  | 1   | 397381007T |  |
| PWB | C519    | TF C    | ECQ-V50V-224J         | 1   | 374722244T |  |
| PWB | C520    | TF C    | ECQ-V50V-224J         | 1   | 374722244T |  |
| PWB | C526    | VX C    | CE04W50V-10M(VX_BLK)  | 1   | 397381007T |  |
| PWB | C527    | VX C    | CE04W50V-1M(VX_BLK)   | 1   | 397380107T |  |
| PWB | C528    | VX C    | CE04W50V-10M(VX_BLK)  | 1   | 397381007T |  |
| PWB | C601    | VR C    | CE04W50V-10M(VR)      | 1   | 394681007T |  |
| PWB | C602    | VR C    | CE04W50V-10M(VR)      | 1   | 394681007T |  |
| PWB | C603    | VR C    | CE04W16V-470M(VR)     | 1   | 394644717T |  |
| PWB | C603 or | VX C    | CE04W16V-470M(VX_BLK) | (1) | 397344717T |  |
| PWB | C604    | VR C    | CE04W35V-33M(VR)      | 1   | 394663307T |  |
| PWB | C604 or | ELECT C | CE04W35V-33M          | (1) | 354763309T |  |
| PWB | C905    | ELECT C | CE62W63V-5600M        | 1   | 3504399    |  |

|     |      |          |                   |   |            |
|-----|------|----------|-------------------|---|------------|
| PWB | C906 | ELECT C  | CE62W63V-5600M    | 1 | 3504399    |
| PWB | C909 | VR C     | CE04W50V-22M(VR)  | 1 | 394682207T |
| PWB | C950 | TF C     | ECQ-V50V-104J     | 1 | 374721044T |
| PWB | C951 | VR C     | CE04W16V-220M(VR) | 1 | 394642217T |
| PWB | C952 | VR C     | CE04W16V-220M(VR) | 1 | 394642217T |
| PWB | C955 | TF C     | ECQ-B50V-223J     | 1 | 374722234T |
| PWB | R301 | CARBON R | R16J-1K           | 1 | 417341024T |
| PWB | R302 | VARI R   | N17RGL20KB15M     | 1 | 5151508    |
| PWB | R303 | CARBON R | R16J-47K          | 1 | 417344734T |
| PWB | R304 | CARBON R | R16J-27K          | 1 | 417342734T |
| PWB | R305 | CARBON R | R16J-33K          | 1 | 417343334T |
| PWB | R306 | CARBON R | R16J-47K          | 1 | 417344734T |
| PWB | R307 | CARBON R | R16J-2.2K         | 1 | 417342224T |
| PWB | R501 | CARBON R | R16J-1K           | 1 | 417341024T |

|     |         |             |               |     |            |   |
|-----|---------|-------------|---------------|-----|------------|---|
| PWB | R502    | CARBON R    | R16J-47K      | 1   | 417344734T |   |
| PWB | R503    | CARBON R    | R16J-5.6K     | 1   | 417345624T |   |
| PWB | R504    | CARBON R    | R16J-2.2K     | 1   | 417342224T |   |
| PWB | R505    | NF CARBON R | R25J-1.0K     | 1   | 415471024T | ! |
| PWB | R506    | NF CARBON R | R25J-1.0K     | 1   | 415471024T | ! |
| PWB | R507    | CARBON R    | R16J-33K      | 1   | 417343334T |   |
| PWB | R508    | NF CARBON R | R25J-47       | 1   | 415474704T | ! |
| PWB | R509    | CARBON R    | R16J-1K       | 1   | 417341024T |   |
| PWB | R510    | CARBON R    | R16J-100K     | 1   | 417341044T |   |
| PWB | R511    | NF CARBON R | R25J-82       | 1   | 415478204T | ! |
| PWB | R512    | NF CARBON R | R25J-68       | 1   | 415476804T | ! |
| PWB | R513    | NF CARBON R | R25J-82       | 1   | 415478204T | ! |
| PWB | R514    | NF CARBON R | R25J-82       | 1   | 415478204T | ! |
| PWB | R515    | CARBON R    | R16J-12K      | 1   | 417341234T |   |
| PWB | R516    | CARBON R    | R16J-12K      | 1   | 417341234T |   |
| PWB | R517    | CARBON R    | R16J-3.3K     | 1   | 417343324T |   |
| PWB | R521    | CARBON R    | R16J-220      | 1   | 417342214T |   |
| PWB | R522    | CARBON R    | R16J-220      | 1   | 417342214T |   |
| PWB | R526    | METAL O R   | RS1/2WBJ-82   | 1   | 443528204T |   |
| PWB | R527    | CARBON R    | R16J-270      | 1   | 417342714T |   |
| PWB | R528    | METAL O R   | RS1/2WBJ-390  | 1   | 443523914T |   |
| PWB | R531    | METAL PR    | RF-5EGKR22    | 1   | 4000201    |   |
| PWB | R531 or | METAL P R   | RGC55C 0.22 K | (1) | 4000157    |   |
| PWB | R531 or | METAL PR    | RGC55 0.22    | (1) | 4000132    |   |
| PWB | R531 or | METAL PR    | MPR5W+5W 0R22 | (1) | 4000233    |   |
| PWB | R531 or | METAL P R   | RF-5EGPJR22   | (1) | 4000244    |   |
| PWB | R533    | METAL R     | RNU1WCJ-3.3   | 1   | 453630334T |   |
| PWB | R541    | CARBON R    | R16J-820      | 1   | 417348214T |   |
| PWB | R542    | CARBON R    | R16J-150      | 1   | 417341514T |   |
| PWB | R543    | CARBON R    | R16J-180      | 1   | 417341814T |   |
| PWB | R544    | TRIM R      | N06HR100BC    | 1   | 5210359T   |   |
| PWB | R544 or | TRIM R      | N06HR100BC    | (1) | 5210399T   |   |
| PWB | R601    | CARBON R    | R16J-5.6K     | 1   | 417345624T |   |
| PWB | R602    | CARBON R    | R16J-100K     | 1   | 417341044T |   |
| PWB | R603    | CARBON R    | R16J-150K     | 1   | 417341544T |   |
| PWB | R604    | CARBON R    | R16J-180      | 1   | 417341814T |   |
| PWB | R605    | CARBON R    | R16J-22       | 1   | 417342204T |   |

|     |      |          |           |   |            |
|-----|------|----------|-----------|---|------------|
| PWB | R609 | CARBON R | R16J-39K  | 1 | 417343934T |
| PWB | R610 | CARBON R | R16J-560K | 1 | 417345644T |
| PWB | R611 | CARBON R | R16J-820K | 1 | 417348244T |
| PWB | R612 | CARBON R | R16J-39K  | 1 | 417343934T |
| PWB | R613 | CARBON R | R16J-470K | 1 | 417344744T |
| PWB | R614 | CARBON R | R16J-120K | 1 | 417341244T |
| PWB | R615 | CARBON R | R16J-22K  | 1 | 417342234T |
| PWB | R616 | CARBON R | R16J-100K | 1 | 417341044T |
| PWB | R617 | CARBON R | R16J-1K   | 1 | 417341024T |
| PWB | R619 | CARBON R | R16J-22K  | 1 | 417342234T |
| PWB | R620 | CARBON R | R16J-100K | 1 | 417341044T |
| PWB | R621 | CARBON R | R16J-1K   | 1 | 417341024T |
| PWB | R622 | CARBON R | R16J-10K  | 1 | 417341034T |
| PWB | R623 | CARBON R | R16J-100K | 1 | 417341044T |

|     |         |           |                |     |               |   |
|-----|---------|-----------|----------------|-----|---------------|---|
| PWB | R624    | CARBON R  | R16J-100K      | 1   | 417341044T    |   |
| PWB | R625    | CARBON R  | R16J-180K      | 1   | 417341844T    |   |
| PWB | R626    | CARBON R  | R16J-2.2M      | 1   | 417342254T    |   |
| PWB | R627    | CARBON R  | R16J-680K      | 1   | 417346844T    |   |
| PWB | R628    | CARBON R  | R16J-330K      | 1   | 417343344T    |   |
| PWB | R651    | METAL O R | RS1/2WBJ-12K   | 1   | 443521234T    |   |
| PWB | R901    | METAL O R | RS1WBJ-820     | 1   | 443628214T    |   |
| PWB | R902    | METAL O R | RS1WBJ-820     | 1   | 443628214T    |   |
| PWB | R903    | CARBON R  | R16J-10K       | 1   | 417341034T    |   |
| PWB | R904    | METAL O R | RS1/2WBJ-1K    | 1   | 443521024T    |   |
| PWB | R951    | METAL O R | RS2WBJ-3.3K    | 1   | 441723324F    |   |
| PWB | R952    | METAL O R | RS2WBJ-3.3K    | 1   | 441723324F    |   |
| PWB | F901A   | FUSE HOL  | NSCT-1P2506    | 1   | 25052609T     | ! |
| PWB | F901Aor | FUSE HOL  | NSCT-1P2031    | (1) | 25052133T     | ! |
| PWB | F901B   | FUSE HOL  | NSCT-1P2506    | 1   | 25052609T     | ! |
| PWB | F901Bor | FUSE HOL  | NSCT-1P2031    | (1) | 25052133T     | ! |
| PWB | JL535A  | SOCKET AS | NSAS-2P1335    | 1   | 2009990876UL  |   |
| PWB |         |           | Change         |     | Change        |   |
| PWB | JL535A  | SOCKET AS | NSAS-2P1852    | 1   | 2009991188UL  |   |
| PWB | P301    | PIN JACK  | NPJ-1PDB556    | 1   | 25045774      |   |
| PWB | P301 or | PIN JACK  | NPJ-1PDB581    | (1) | 25045801      |   |
| PWB | P531    | PLUG      | NPLG-2P29      | 1   | 25055038      |   |
| PWB | P631    | PLUG      | NPLG-2P29      | 1   | 25055038      |   |
| PWB | P632A   | PLUG      | NPLG-3P131     | 1   | 25055147      |   |
| PWB | P901A   | PLUG      | B3P-VB-2(LF)   | 1   | 25056616      |   |
| PWB |         |           | Change         |     | Change        |   |
| PWB | P901A   | PLUG      | NPLG-4P151     | 1   | 25055167      |   |
| PWB | P902A   | PLUG      | NPLG-2P632     | 1   | 25055676      | ! |
| PWB | P903A   | SOCKET AS | NSAS-6P1693    | 1   | 2009991088UL  |   |
| PWB |         |           | Change         |     | Change        |   |
| PWB | P903A   | SOCKET AS | NSAS-7P1834    | 1   | 20099900740UL |   |
| PWB | P911    | WS CLAMP  | CB-71683(L=50) | 1   | 260261        |   |
| PWB | E801    | RETAINER  | KANAGU(EARTH)  | 1   | 27141059      |   |





**ONKYO CORPORATION**

Service Dept. Technical Support : 2-1, Nisshin-cho, Neyagawa-shi, OSAKA 572-8540, JAPAN  
Tel: 072-831-8023 Fax: 072-831-8163

**ONKYO U.S.A. CORPORATION**

18 Park Way, Upper Saddle River, N.J. 07458, U.S.A.  
Tel: 201-785-2600 Fax: 201-785-2650 <http://www.us.onkyo.com/>

**ONKYO EUROPE ELECTRONICS GmbH (DUISBURG OFFICE)**

Hafennr.7602, Logport Office-Center, Bliersheimerstr.80B, 47229 Duisburg, Germany  
Tel: +49-2065-90198-00 Fax: +49-2065-90198-40 <http://www.eu.onkyo.com/>

**ONKYO EUROPE UK Office**

Suite 1, Gregories Court, Gregories Road, Beaconsfield, Buckinghamshire, HP9 1HQ  
UNITED KINGDOM Tel: +44-(0)1494-681515 Fax: +44(0)-1494-680452

**ONKYO CHINA LIMITED**

Units 2102-2107, Metroplaza Tower I, 223 Hing Fong Road, Kwai Chung,  
N.T., HONG KONG Tel: 852-2429-3118 Fax: 852-2428-9039  
<http://www.ch.onkyo.com/>

